



## RHM 015

# Coriolis Mass Flow Meter for Accurate and Very Low Flow Measurement

General Flow Control / Additive Dosing / Mixing and Batching /  
Chemical Injection / Package and Container Filling





## Features

- Typical measuring range up to 1.2 kg/min (2.65 lb/min)
- Pressure ratings up to 1481 bar (21480 psi)
- Temperature ratings from -196 to +210 °C (-320 to +410 °F) – up to 400 °C (750 °F) on request
- Mass flow uncertainty down to 0.05 %
- Repeatability down to 0.05 %
- 4 kHz measurement updates and response time of less than 1 ms when used with RHE 40 Series transmitters
- Accurately measure flow rates down to 2 g/min
- The Rheonik **AnyPipeFit Commitment** provides custom process connection type and size flexibility on any meter to suit your existing plant, saving time and expense on installation costs
- Compact design with minimal pipeline footprint
- Approved for use in hazardous areas
- SS 304 Stainless steel enclosure, SS 316L optional
- Integral and remote transmitter versions available

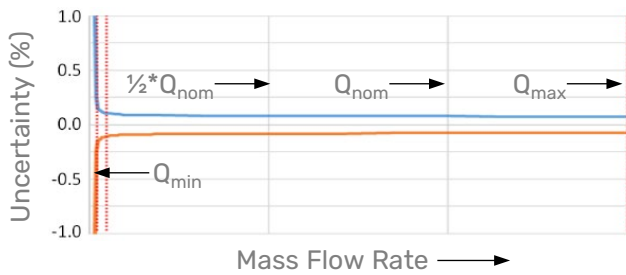
## General Specification Overview

<b>Nominal Flow (<math>Q_{nom}</math>)*</b>	0.6 kg/min (1.32 lb/min)
<b>Maximum Flow (<math>Q_{max}</math>)*</b>	1.2 kg/min (2.65 lb/min)
<b>Typical Minimum Flow (<math>Q_{min}</math>)*</b>	0.002 kg/min (0.004 lb/min)
<b>Serial Tube / Single Path</b>	Flow rates $Q_{max}$ , $Q_{nom}$ and $Q_{min}$ for "serial" sensors will be 50% of the above listed parallel/dual path version.
<b>Operating Temperature</b>	Fluid temperature range options cover from -196 °C to +210 °C (-320 °F to +410 °F) For integral transmitter versions please refer to transmitter datasheet
<b>Ambient Temperature</b>	-50 °C to +80 °C (-60 °F to +180 °F). High temperature version for oven installation up to +210 °C (+410 °F) available
<b>Pressure Ratings</b>	1481 bar (21480 psi) – dependent upon material
<b>Electrical Connection Sensor w/o Integral Transmitter</b>	M20 x 1.5 standard cable entry for JM, SM terminal box versions Optional entries available : ½" NPT or M25 x 1.5 (only for SM) or ¾" NPT (only for SM) M16 x 1.5 standard cable entry for PM terminal box version Max. cable length to remote RHE transmitter 100 m/330 ft.
<b>Sensor Enclosure Materials</b>	Stainless steel 304 (standard), SS 316L (optional) Coated aluminum terminal box, SS 316L terminal box (optional)
<b>Enclosure Type</b>	Protection class IP66 (IP66 is mostly equivalent to NEMA 4X) Optionally IP66-IP67 (IP67 declared by manufacturer, IP67 is mostly equivalent to NEMA 6)
<b>Wetted Materials</b>	Flow tubes SS 316L, SuperDuplex, Sandvik HP160®, Alloy C22 Manifolds SS 316L; seals: FKM, FFKM, FVMQ, EPDM Standard flanges SS 316Ti, other connections SS 316L Additional/customer specific materials available upon request
<b>Process Connections</b>	The Rheonik <b>AnyPipeFit Commitment</b> covers a wide range of process connections and types. Consult factory for types/sizes not listed in this data sheet on the Mechanical Construction pages
<b>Pressure Rating Compliance</b>	Pressure Equipment Directive (PED)
<b>Certifications and Approvals</b>	ATEX / IECEx Approvals Zone 0, 1, 2 (details see page 18) North American Approvals Cl. I, Div. 1, 2, Gr. A,B,C,D, Zone 0, 1, 2 (see page 18) American Bureau of Shipping (ABS) DNV approval for marine applications
<b>Testing and Inspection</b>	All sensors are hydro tested, calibrated and supplied with a traceable calibration certificate. Customized calibration and testing services are available
<b>Project Documentation and QA, Services</b>	Rheonik offers a full set of services for large and complex engineering projects. Typical services offered are, but not limited to: <ul style="list-style-type: none"> <li>• Certificates of origin and conformity, mill certificates</li> <li>• Data books including WPS-WPQR, WPQ, NDT, test &amp; quality plans, functional testing, calibration procedures, customized packing, factory acceptance etc.</li> <li>• Painting to project specification</li> <li>• Start up and commissioning services on/offshore</li> </ul>
<b>Options</b>	Customization services for machine integration. Consult factory

\* At  $Q_{nom}$  pressure drop across a parallel tube sensor will be approximately 2 bar (29 psi) for H<sub>2</sub>O. Sensors can be operated at higher flow rates up to  $Q_{max}$  but pressure drop will be higher. Typical Minimum Flow  $Q_{min}$  is the recommended lowest flow rate for an accurate measurement. Sensors will measure flow rates lower than  $Q_{min}$  but uncertainty will increase beyond 1% of rate.

The flow rate specifications above relate to standard pressure, parallel tube, manifold sensor versions. Models with higher pressure ratings have increased wall thickness and will have higher pressure drops.

## Calibration Options



Order Code	General Accuracy Calibration
A	Standard - 0.20 % Uncertainty
B	Premium - 0.15 % Uncertainty

Order Code	High Accuracy Calibration
G	Premium Plus - 0.10 % Uncertainty
U	Ultimate - 0.05 % Uncertainty <i>Requires RHE 40 Series transmitter</i>

Order Code	Focused Calibration
1	0.10 % Low Flow Calibration* <i>Requires RHE 40 Series transmitter</i>
X	Customized Calibration** Consult factory

\* Low flow calibration focuses on the range from  $\frac{1}{2}Q_{nom}$  downwards to lower flow rates than on other calibrations. Often used for low pressure gas or very viscous liquids

\*\* Customized calibration uses specific calibration points according to customer requirements

**Reference conditions:**  
18-24°C Water @ 1-3 bar

Order Code	Density Calibration / Performance (Liquid)
N	No Density Calibration
S	Standard $\pm 0.0035$ kg/l Uncertainty
D	Enhanced $\pm 0.0005$ kg/l Uncertainty Requires High Accuracy or Focused Calibration Option

### Uncertainties and flow measurement turn-down

The turn down capability from  $Q_{nom}$  of the flow sensor is driven mainly by its zero point stability. At the very low end of the measuring range the uncertainty (u) is dominated by zero point stability.

- Zero point stability of a standard sensor with General Accuracy Calibration is: 0.000036 kg/min (0.000079 lbs/min).
- Zero point stability of a Gold Line sensor with High Accuracy or Focused Calibration is 0.000019 kg/min (0.000042 lbs/min).
- For flow  $Q \geq ZP \text{ stability} / (\text{Base Calibration uncertainty}/100) \rightarrow u = \text{calibration uncertainty}$
- For flow  $Q < ZP \text{ stability} / (\text{Base Calibration uncertainty}/100) \rightarrow u = (\text{zero stability}/Q) * 100$

### Uncertainties from environmental and process conditions

If sensors are not zeroed at operating conditions, minor additional uncertainties can arise from elevated temperatures and pressures:

- $\pm 0.00308$  % of maximum flow per °C
- $\pm 0.0208$  % of maximum flow per bar.

Process temperature effect on density:

- Additional uncertainty of  $\pm 0.000641$  g/cm<sup>3</sup> per °C difference from calibration temperature with standard density calibration
- Additional uncertainty of  $\pm 0.000073$  g/cm<sup>3</sup> per °C difference from calibration temperature with enhanced density calibration.
- This effect can be mitigated by a simple field density adjustment at operating conditions.

Process pressure effect on mass flow:

The effect of pressure on flow measurement is 0.001 % of rate per bar. Compensation is possible by pressure sensor input (analog input or digital write) or manual value entry into the transmitter.

Process pressure effect on density:

- The effect of pressure on density measurement is 0.00012 g/cm<sup>3</sup> per bar. Compensation is possible by pressure sensor input (analog input or digital write) or manual value entry into the transmitter.

*Premium Plus, Ultimate, Low Flow and Enhanced Density Calibration are only available in SS 316 material, P1 lower pressure and N1 temperature range.*

*Applying Premium Plus calibration to higher pressure, special materials and/or non-standard temperature models will show higher zero uncertainties (up to 3 times higher than standard sensor).*

### Flow Measurement Repeatability

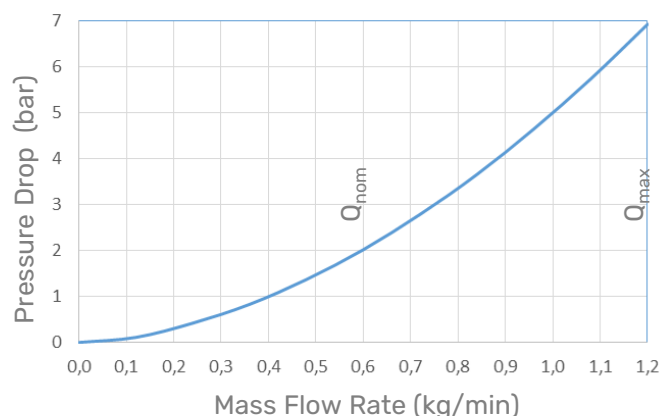
Sensors with General Accuracy Calibration  $\pm 0.1$  % of rate  
Sensors with High Accuracy/Focused Calibration  $\pm 0.05$  % of rate

### Temperature Measurement

Better than  $\pm 1$  °C

## Pressure Drop

Every Coriolis flow sensor generates pressure drop across its inlet and outlet when in use. The amount of pressure drop generated is mainly a function of the flow velocity within its tubes and the flowing viscosity of the stream.



0 – 1.2 kg/min water, sensor with P1 pressure rating. Higher viscosities create higher pressure drop

## Measurement Tube Materials and Pressure Ratings

The maximum pressure ( $p_{max}$ ) of a sensor is determined by its lowest rated part. The lowest rated part can be either the measurement tube ( $p_{max}$  see table to the right), the connection block/manifold ( $p_{max}$  indicated in the Mechanical Construction section) or the process connection (for  $p_{max}$  see published standards or manufacturer information).

### Note:

The material of the connection block/manifold is always SS 316L.

The material of the process connection of sealless sensor versions is usually the same as the measurement loops, however, could be different in special cases on PFT.

Order Code	Material	50°C / 122°F	120°C / 248°F	210°C / 410°F
<b>P1</b>	SS 316L	452 6556	402 5831	339 4917
<b>P1</b>	Alloy C22	477 6918	424 6149	360 5221
<b>P2</b>	SuperDuplex*	630 9137	540 7832	410 5947
<b>P3</b>	SuperDuplex*	1050 15229	900 13053	720 10443
<b>P4</b>	SuperDuplex*	1481 21480	1379 20001	1236 17927
<b>P3</b>	Sandvik HP160®	1227 17796	1183 17157	800 11603

\* Note minimum operating temperature for SuperDuplex stainless steel is -40 °C

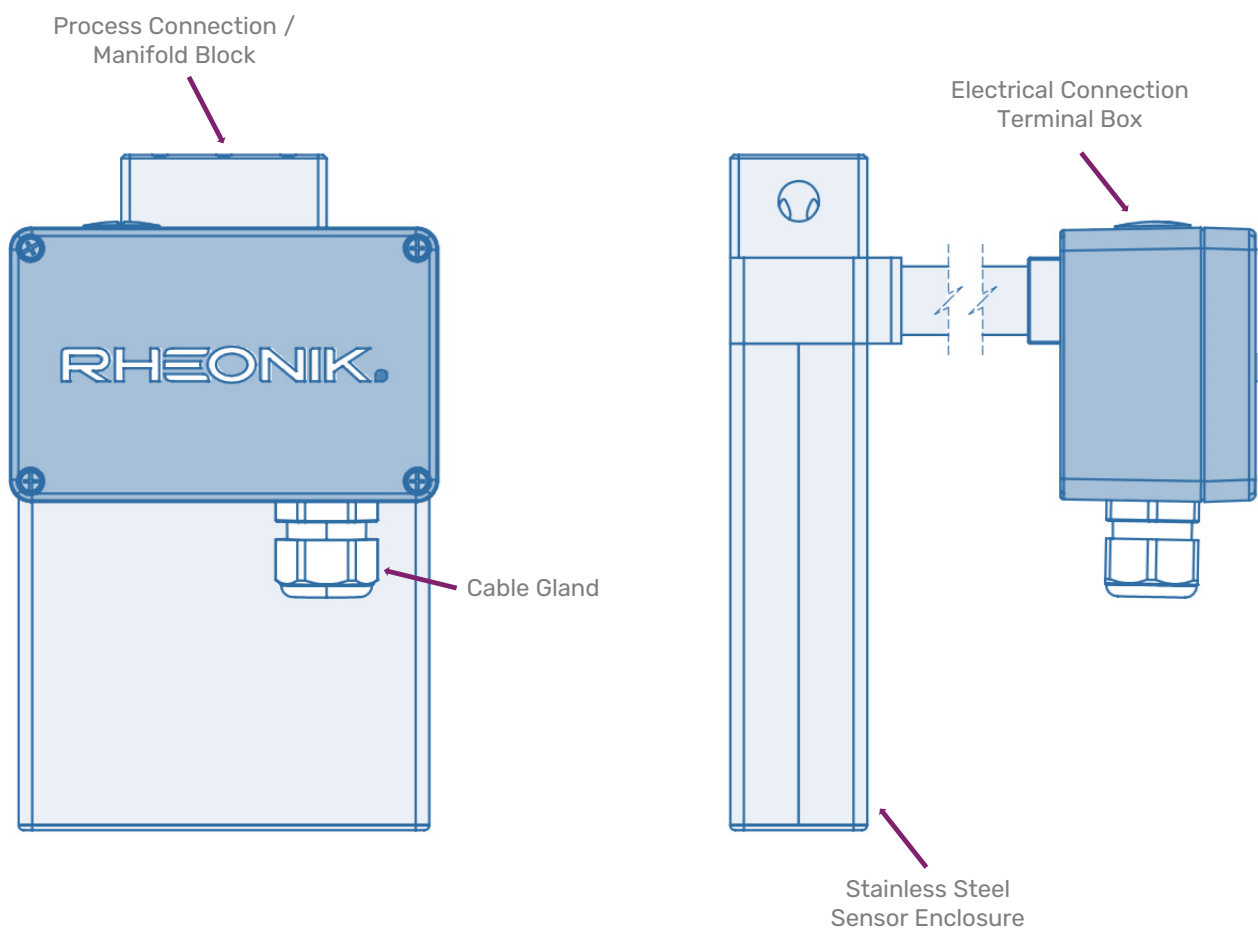
Units: bar / psi

### Other Materials

Other wetted materials may be possible for chemical compatibility, lower pressure drop, abrasion allowance, other application specific requirements. Rheonik can provide nearly any material for the wetted parts. Contact factory with specification for assessment and availability.

## Mechanical Construction

Sensors are manufactured with two internal measurement tubes arranged side by side. In parallel or dual measurement path sensors (order code Pxx), these tubes are connected in parallel and the flowing fluid is split equally between them. In serial or single measurement path sensors (order code Sxx), the internal tubes are connected end to end, creating a single path through which all fluid flows. Manifold designs have a removable inlet/outlet block/manifold and utilize seals between the manifold and sensor body. In sealless designs, the measurement tubes are continuous between the process connections and do not have seals. Manifold designs typically offer shorter delivery lead times and may have a lower pressure drop than sealless designs for the same flow rate.



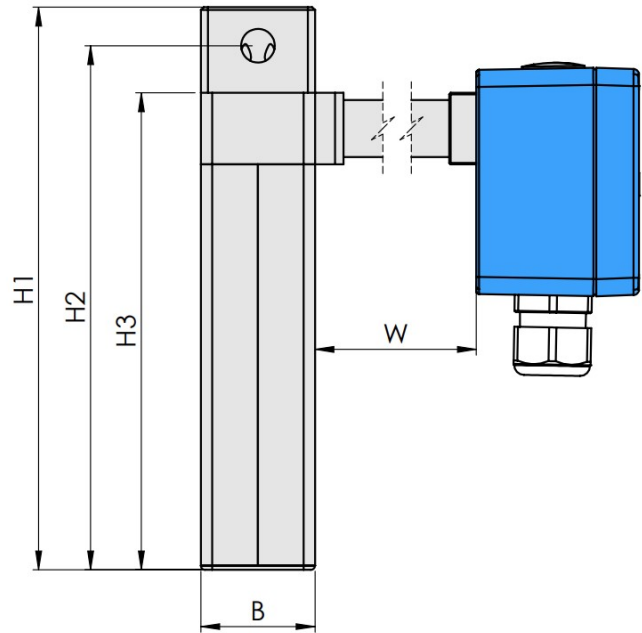
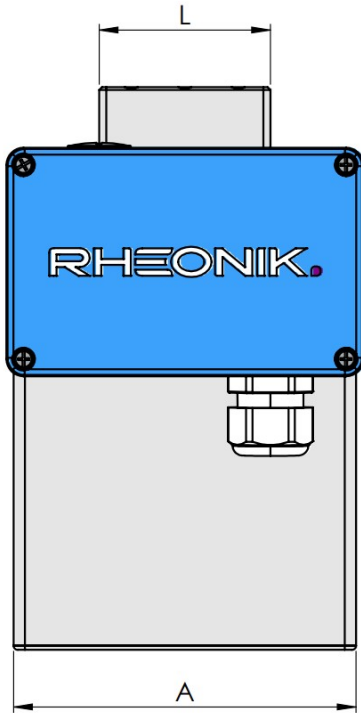
### Note

All dimensions in the following pages are for standard design products. For customization of face to face length and/or process connection types other than the ones listed on the following page, please consult factory. Note that larger diameter flange process connections are always possible. The tolerance of the process connections is  $\pm 2$  mm.

### Manifold design with threaded process connections

Parallel tube / dual measurement path

Order Codes: PM0/PH0



PM0/PH0 Process Connection	Dim. L mm / in	Order Code
Female Thread G 1/4" (only PM0)	60 / 2.36	G1
Female Thread 1/4" NPT (only PM0)	60 / 2.36	N1
Autoclave 3/8" MP - 1/16" - 18 UNF Female Thread (only PH0)	70 / 2.76	P1

PM0/PH0 Dimensions	mm	in
A	120	4.72
B	40	1.57
H1 (PM0, PH0)	197	7.76
H2	184	7.24
H3	167	6.57
W	see page 13	see page 13

#### Manifold Pressure Ratings @ 120 °C / 248 °F

PM0 – 700 bar / 10150 psi

PH0 – 1220 bar / 17695 psi (20000 psi @ 50 °C / 122 °F)

#### Weights and Shipping Dimensions

- Weight for sensor with threads:  
~3 kg/6.6 lb
- Shipping carton size:  
~60 x 41 x 32 cm (24 x 16 x 13 in)
- Gross weight with RHE 28, packaging:  
~9 kg/19.8 lb

#### Material of Manifold and Seals (Wetted Part)

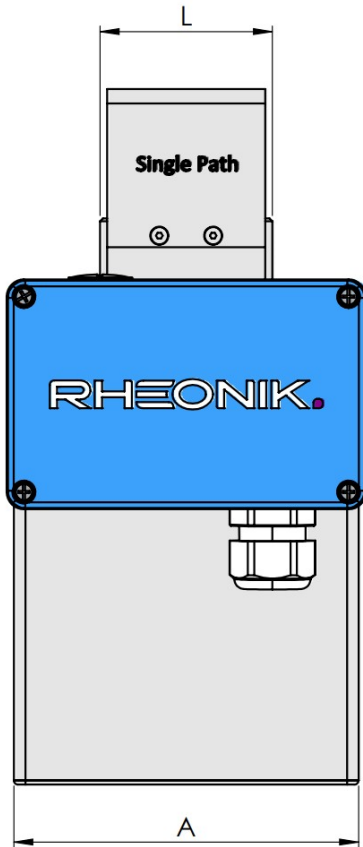
The connection block/manifold is made of SS 316L. Depending upon sensor temperature range, sensors are supplied with the following seal types as standard. For alternative seal options (e.g., FFKM seals for N1) please see Options Codes on page 17. Other seals on request.

Temperature Range	PM0	PH0
N1	FKM	FKM
NA	FVMQ	FVMQ
E2	FFKM*	n/a

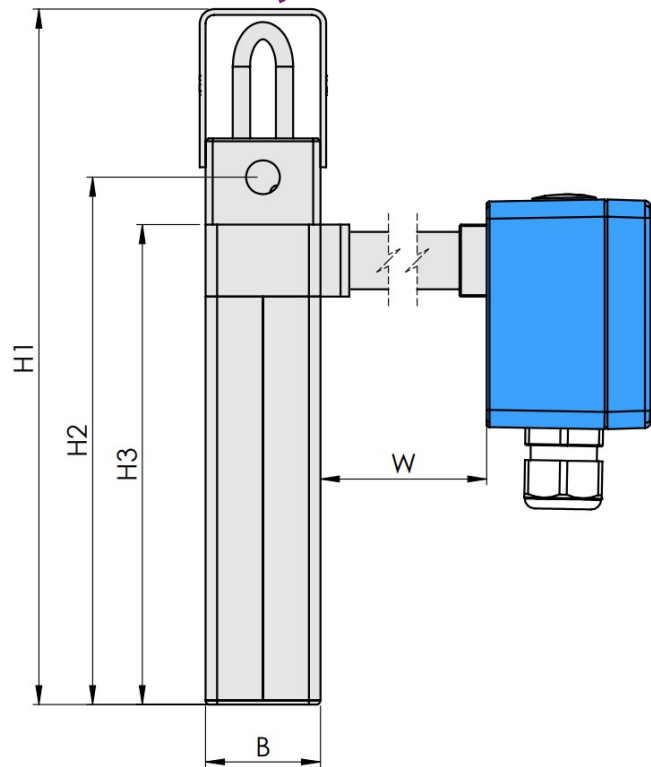
\*FFKM seals minimum temperature is -20 °C/-4 °F

### Manifold design with threaded process connections

Serial tube / single measurement path  
Order Codes: SM0/SH0



Cross-over material:  
SS 316Ti for SM0  
Super Duplex for SH0



SM0/SH0 Process Connection	Dim. L mm / in	Order Code
Female Thread G 1/4" (only SM0)	60 / 2.36	G1
Female Thread 1/4" NPT (only SM0)	60 / 2.36	N1
Autoclave 3/8" MP - 1/16" - 18 UNF Female Thread (only SH0)	70 / 2.76	P1

SM0/SH0 Dimensions	mm	in
A	120	4.72
B	40	1.57
H1 (SM0, SH0)	242	9.53
H2	184	7.24
H3	167	6.57
W	see page 13	see page 13

#### Manifold Pressure Ratings @ 120 °C / 248 °F

SM0 - 700 bar / 10150 psi  
SH0 - 1220 bar / 17695 psi (20000 psi @ 50 °C / 122 °F)

#### Weights and Shipping Dimensions

- Weight for sensor with threads:  
~3 kg/6.6 lb
- Shipping carton size:  
~60 x 41 x 32 cm (24 x 16 x 13 in)
- Gross weight with RHE 28, packaging:  
~9 kg/19.8 lb

#### Material of Manifold and Seals (Wetted Part)

The connection block/manifold is made of SS 316L. Depending upon sensor temperature range, sensors are supplied with the following seal types as standard. For alternative seal options (e.g., FFKM seals for N1) please see Options Codes on page 17. Other seals on request.

Temperature Range	SM0	SH0
N1	FKM	FKM
NA	FVMQ	FVMQ
E2	FFKM*	n/a

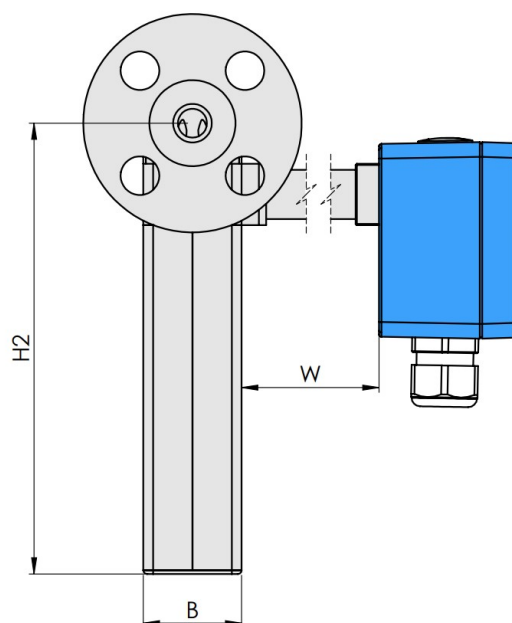
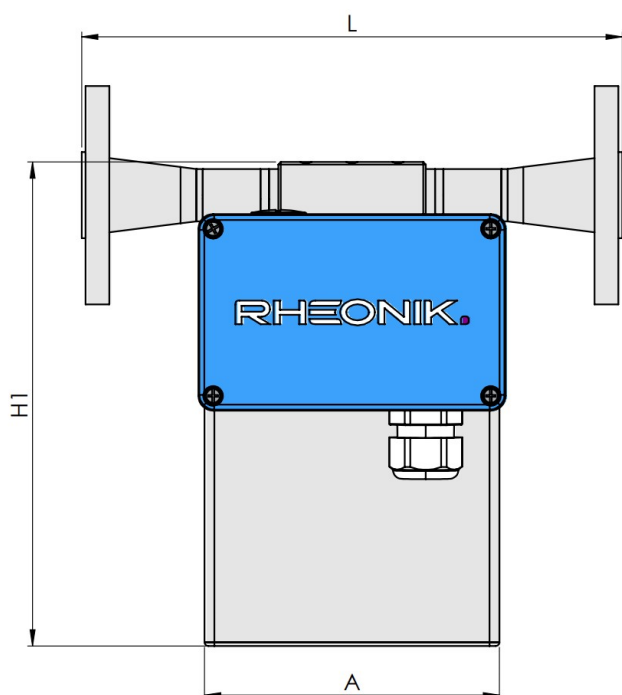
\*FFKM seals minimum temperature is -20 °C/-4 °F



## Manifold design with flanged process connections

Parallel tube / dual measurement path

Order Code: PMO



PMO Process Connection	Dim. L mm / in	Order Code
Flange ANSI ½" 150#RF	220 / 8.66	A1
Flange ANSI ½" 300#RF	220 / 8.66	A2
Flange ANSI ½" 600#RF	220 / 8.66	A3
Flange ANSI ½" 1500#RF	300 / 11.81	A4
Flange ANSI ½" 1500#RTJ	300 / 11.81	R1
Flange DIN DN15/PN40	220 / 8.66	D1
Flange DIN DN15/PN100	220 / 8.66	D2
Flange DIN DN15/PN160	220 / 8.66	D3
Flange JIS B 2220 RF 10k 15A	220 / 8.66	J1
Flange JIS B 2220 RF 20k 15A	220 / 8.66	J2

PMO Dimensions	mm	in
A	120	4.72
B	40	1.57
H1 (PMO)	197	7.76
H2	184	7.24
W	see page 13	see page 13

### Weights and Shipping Dimensions

- Weight for sensor with ½" 150# flanges: ~4 kg/8.8 lb
- Shipping carton size: ~60 x 41 x 32 cm (24 x 16 x 13 in)
- Gross weight with RHE 28, packaging: ~10 kg/22 lb

### Material of Manifold and Seals (Wetted Part)

The connection block/manifold is made of SS 316L. Depending upon sensor temperature range, sensors are supplied with the following seal types as standard. For alternative seal options (e.g., FFKM seals for N1) please see Options Codes on page 17. Other seals on request.

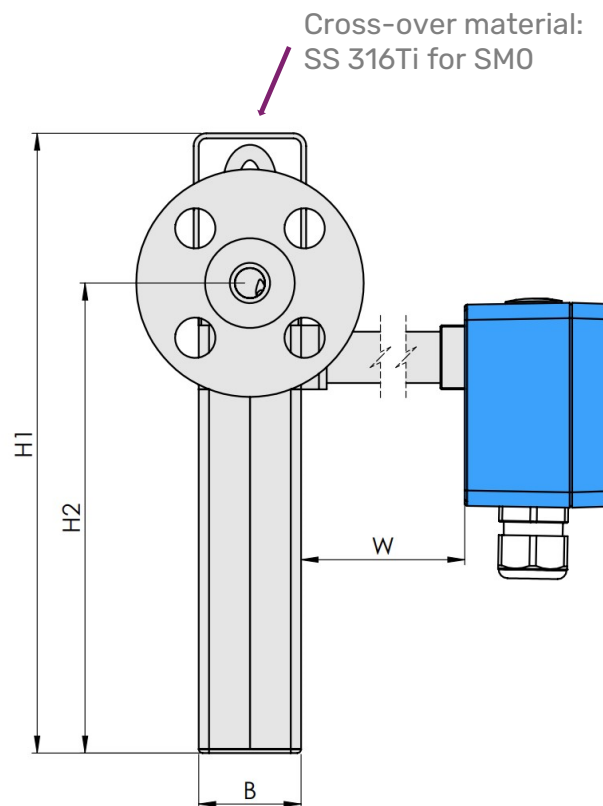
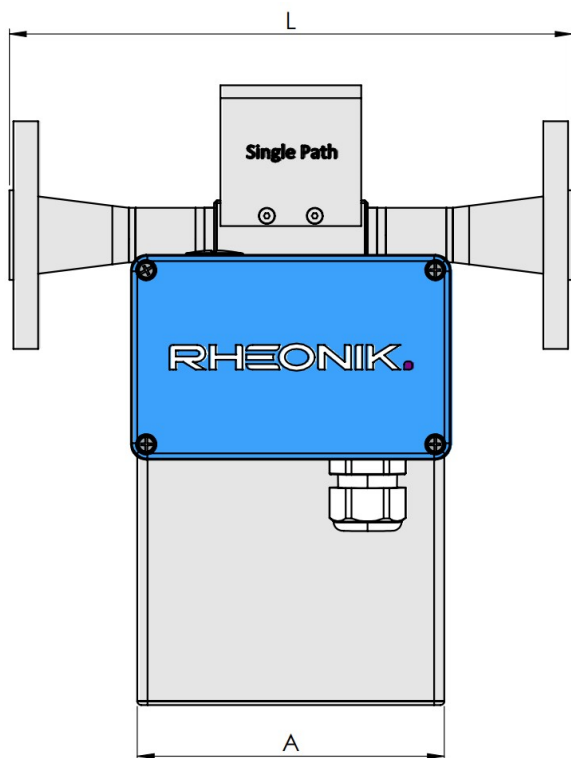
Temperature Range	PMO
N1	FKM
NA	FVMQ
E2	FFKM*

\*FFKM seals minimum temperature is -20 °C/-4 °F

### Manifold design with flanged process connections

Serial tube / single measurement path

Order Code: SMO



SMO Process Connection	Dim. L mm / in	Order Code
Flange ANSI ½" 150#RF	220 / 8.66	A1
Flange ANSI ½" 300#RF	220 / 8.66	A2
Flange ANSI ½" 600#RF	220 / 8.66	A3
Flange ANSI ½" 1500#RF	300 / 11.81	A4
Flange ANSI ½" 1500#RTJ	300 / 11.81	R1
Flange DIN DN15/PN40	220 / 8.66	D1
Flange DIN DN15/PN100	220 / 8.66	D2
Flange DIN DN15/PN160	220 / 8.66	D3
Flange JIS B 2220 RF 10k 15A	220 / 8.66	J1
Flange JIS B 2220 RF 20k 15A	220 / 8.66	J2

SMO Dimensions	mm	in
A	120	4.72
B	40	1.57
H1 (SMO)	242	9.53
H2	184	7.24
W	see page 13	see page 13

### Weights and Shipping Dimensions

- Weight for sensor with ½" 150# flanges: ~4 kg/8.8 lb
- Shipping carton size: ~60 x 41 x 32 cm (24 x 16 x 13 in)
- Gross weight with RHE 28, packaging: ~10 kg/22 lb

### Material of Manifold and Seals (Wetted Part)

The connection block/manifold is made of SS 316L. Depending upon sensor temperature range, sensors are supplied with the following seal types as standard. For alternative seal options (e.g., FFKM seals for N1) please see Options Codes on page 17. Other seals on request.

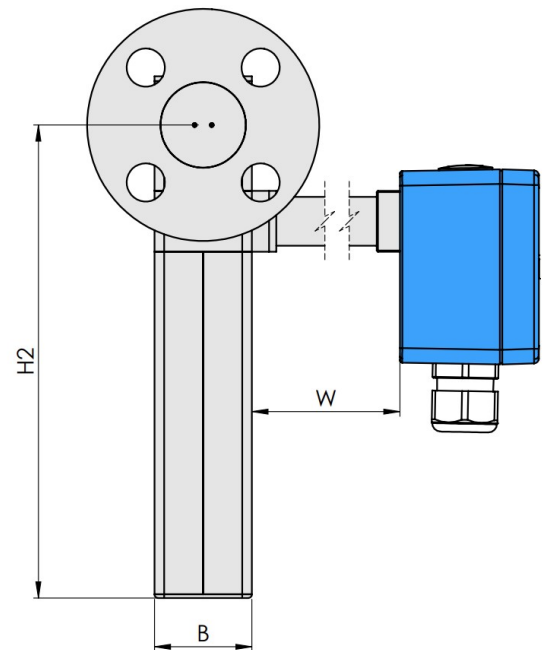
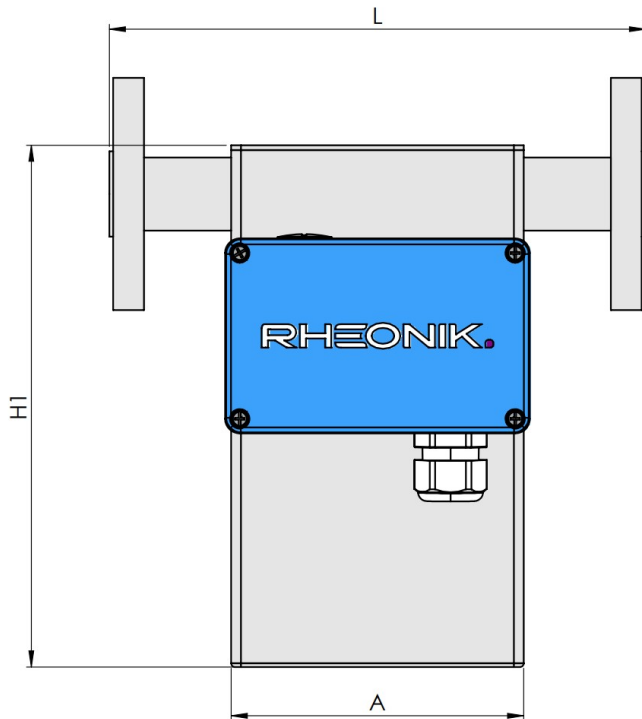
Temperature Range	SMO
N1	FKM
NA	FVMQ
E2	FFKM*

\*FFKM seals minimum temperature is -20 °C/-4 °F

**Sealless design with flanged/hub process connections**

Parallel tube / dual measurement path

Order Code: PFO



PFO Process Connection	Dim. L mm / in	Order Code
Flange ANSI ½" 150#RF	220 / 8.66	A1
Flange ANSI ½" 300#RF	220 / 8.66	A2
Flange ANSI ½" 600#RF	220 / 8.66	A3
Flange ANSI ½" 1500#RF	300 / 11.81	A4
Flange ANSI ½" 2500#RF	300 / 11.81	A5
Flange ANSI ½" 1500#RTJ	300 / 11.81	R1
Flange ANSI ½" 2500#RTJ	300 / 11.81	R2
Flange DIN DN15/PN40 Form B1	220 / 8.66	D1
Flange DIN DN15/PN100 Form B2	220 / 8.66	D2
Flange DIN DN15/PN160 Form B2	220 / 8.66	D3
Flange JIS B 2220 RF 10k 15A	220 / 8.66	J1
Flange JIS B 2220 RF 20k 15A	220 / 8.66	J2
Grayloc® Hub 1" GR4	300 / 11.81	H1

For other hub connections (e.g. Destec, Galperti, Techlok) please consult factory

PFO Dimensions	mm	in
A	120	4.72
B	40	1.57
H1	214	8.43
H2	194	7.64
W	see page 13	see page 13

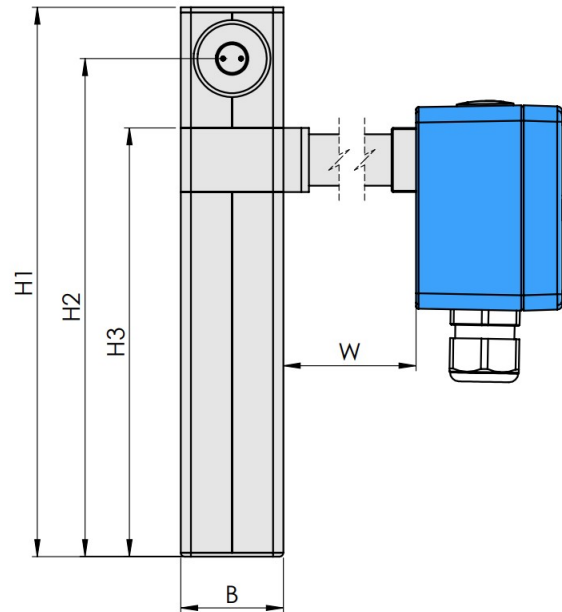
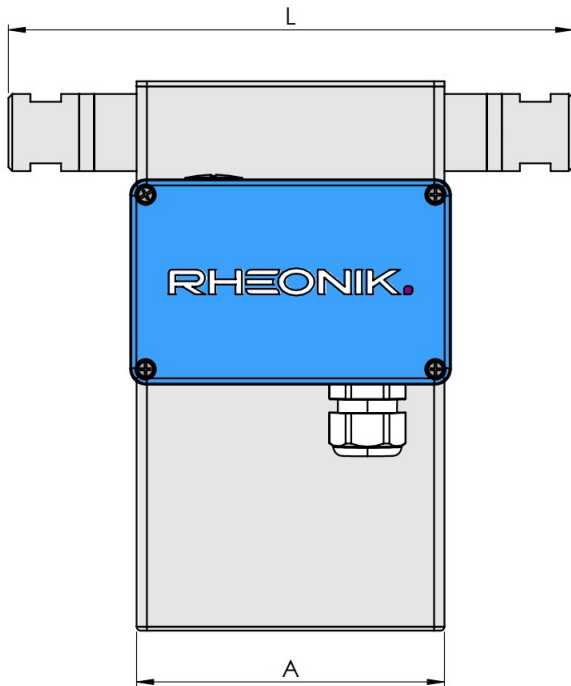
**Weights and Shipping Dimensions**

- Weight for sensor with ½" 150# flanges: ~3.5 kg/7.7 lb
- Shipping carton size: ~60 x 41 x 32 cm (24 x 16 x 13 in)
- Gross weight with RHE 28, packaging: ~9.5 kg/20.9 lb

**Sealless design with threaded process connections**

Parallel tube / dual measurement path

Order Code: PFT



PFT Process Connection	Dim. L mm / in	Order Code
Female Thread G 1/4"	220 / 8.66	G1
Female Thread 1/4" NPT	220 / 8.66	N1
Autoclave 3/8" MP - 1/16" - 18 UNF Female Thread	220 / 8.66	P1
Swagelok® 1/4" Tube Inlet male (SS-400-1-4W)	220 / 8.66	W1

PFT Dimensions	mm	in
A	120	4.72
B	40	1.57
H1	214	8.43
H2	194	7.64
H3	167	6.57
W	see page 13	see page 13

**Weights and Shipping Dimensions**

- Weight for sensor with threads:  
~3 kg/6.6 lb
- Shipping carton size:  
~60 x 41 x 32 cm (24 x 16 x 13 in)
- Gross weight with RHE 28, packaging:  
~9 kg/19.8 lb

**Material and pressure rating of process connection:**

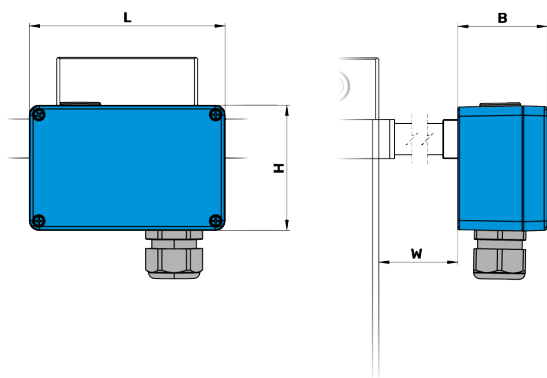
Generally, the material of the connection is identical to the measurement tube material selected. Exception may occur, e.g., Swagelok is always SS 316.

The pressure rating for G thread is 540bar@120°C, 700bar@120°C for NPT.

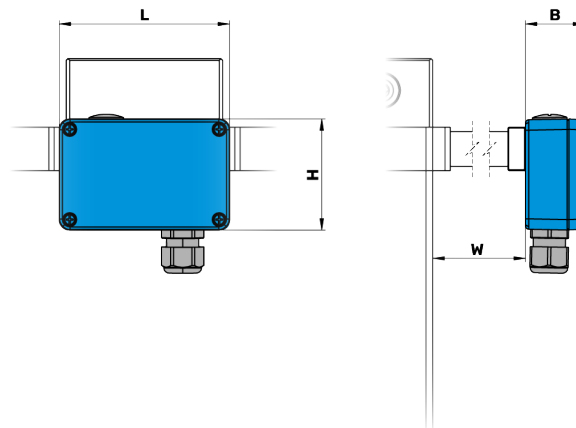
## Electrical Connection Options To Transmitters

Any Rheonik Mass Flow Transmitter model can be combined with any Rheonik Mass Flow Sensor to provide an overall mass flow measurement system to suit any requirement. Rheonik Coriolis transmitters are available in both integral and remote mounting styles. A range of connection options is available to suit all application requirements.

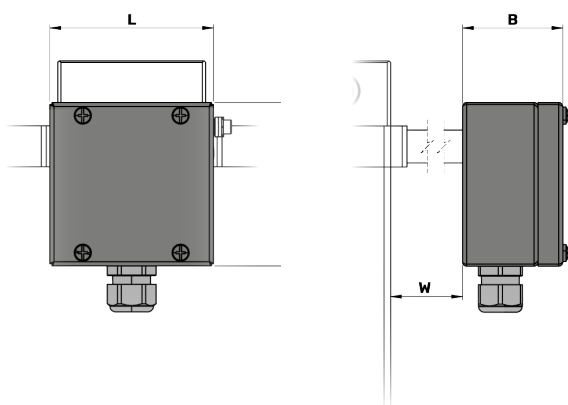
Order Code: JM  
Standard Coated Aluminum Terminal Box



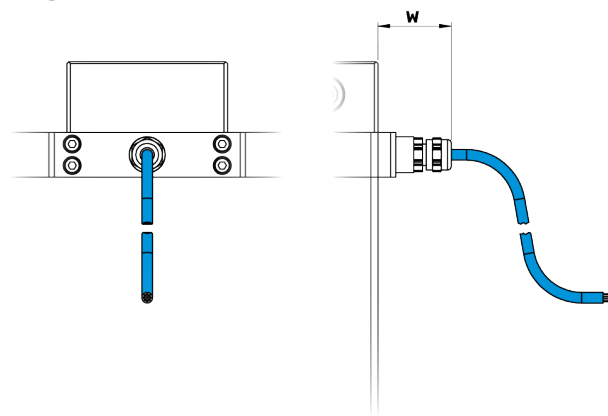
Order Code: PM  
Compact Coated Aluminum Terminal Box



Order Code: SM  
Terminal Box and Entire Enclosure in SS 316L/Ti



Order Code: TM  
Integral PTFE Cable (No Terminal Box). Std. Length 2 m. Can be extended up to max 10 m



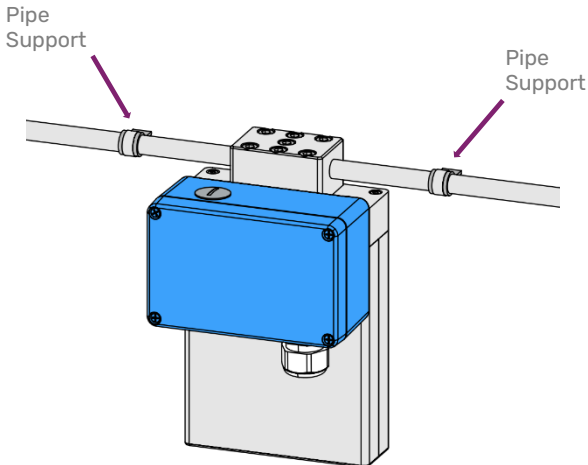
Connection Option	Dimension	mm	in
JM Terminal Box	L x H x B	125 x 80 x 57	4.92 x 3.15 x 2.24
PM Compact Terminal Box	L x H x B	98 x 64 x 34	3.86 x 2.52 x 1.34
SM SS 316L Terminal Box	L x H x B	100 x 100 x 61	3.94 x 3.94 x 2.40
TM Integral PTFE Cable	W	41	1.61
JM, PM, SM with Temperature Range N1, NA	W	2	0.08
JM, PM, SM with Temperature Range E2, E3	W	100	3.94

JM, SM Terminal boxes are supplied with an M20 x 1.5 cable entry, optional entries available – see Separately Ordered Options, page 12  
PM Compact Terminal boxes are supplied with an M16 x 1.5 cable entry  
For details of the integral transmitter used with option J5, J9 and S9 please see the RHE45 or RHE49 datasheet

## Installation/Mounting Schemes

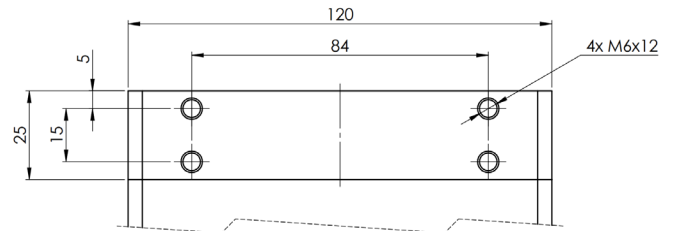
Recommended for sensitive, low flow installations (order codes see page 17 "Accessories")

### Pipe Support Brackets



Pipe support brackets supplied by customer

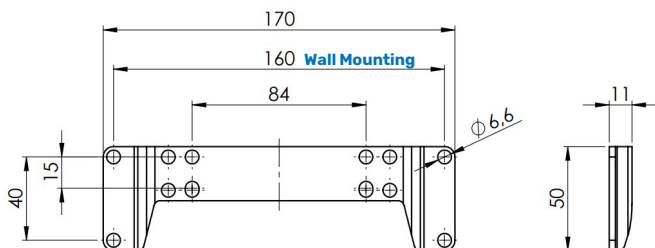
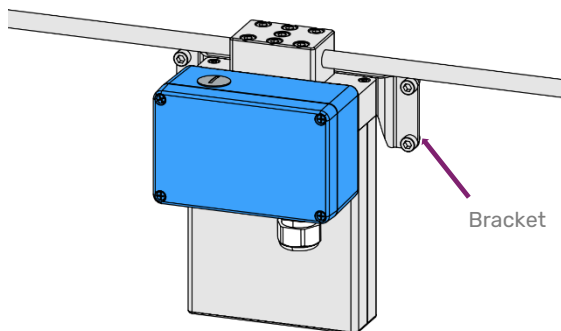
### Sensor Mounting Holes (backside of the sensor)



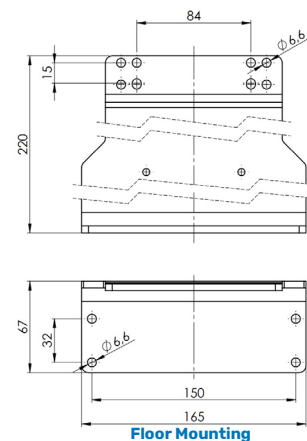
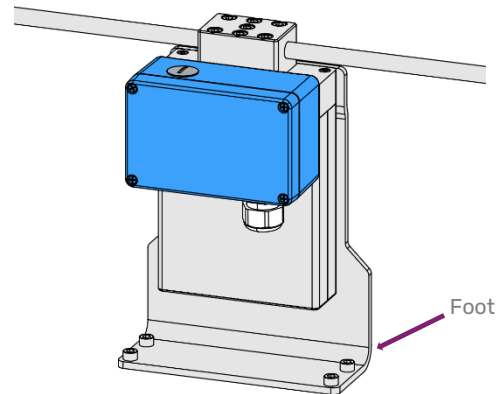
Dimensions of threaded top plate mounting holes

4 x M6 threaded holes are available on the back of the sensor top plate for direct mounting to frames and panels. Screws supplied by customer

### Wall Mounting Bracket Accessory



### Floor Mounting "Foot" Bracket Accessory



## Electrical Connection to Transmitter Compatibility

Electrical connection option selections are compatible with the transmitter range according to the following table. Note that economical blind front versions of some transmitters are available where displays and keypads are not required. The wide range of Rheonik sensors and transmitters provide tremendous options for system designers and end users alike.

Sensor Connection Options	Order Code						
		JM	SM	S9	TM	J5	J9
	RHE 21	✓	✓	—	✓	—	—
	RHE 26	✓	✓	—	✓	—	—
	RHE 27	✓	✓	—	✓	—	—
	RHE 28	✓	✓	—	✓	—	—
	RHE 42	✓	✓	—	✓	—	—
	RHE 45	—	—	—	—	✓	—
	RHE 46	✓	✓	—	✓	—	—
	RHE 49	—	—	✓	—	—	✓

# RHM 015 Part Number Code

### Temperature Range

- N1 NT from -20 to +120 °C (-4 to +248 °F)
- NA ET from -50 to +120 °C (-58 to +248 °F)
- E2 ET2 from -50 to +210 °C (-58 to +410 °F)
- E3 ET1 from -196 to +50 °C (-320 to +122 °F) - only sealless

### Pressure Code for $p_{max}$ of Measuring Loops

See pressure ratings on page 5 for ratings and codes

#### Construction Type - manifold material is always SS316L

- PM0 Parallel block/manifold in SS316L with seals,  $p_{max}$  = 700 bar
- SM0 Serial block/manifold in SS316L with seals,  $p_{max}$  = 700 bar
- PH0 Parallel block/manifold in SS316L with seals,  $p_{max}$  = 1220 bar (20000 psi @ 50°C / 122°F) - only Autoclave
- SH0 Serial block/manifold in SS316L with Seals,  $p_{max}$  = 1220 bar (20000 psi @ 50°C / 122°F) - only Autoclave
- PFO Parallel tube, sealless - only with flange and hub connections
- PFT Parallel tube, sealless - only with thread connections

#### Material of Measuring Loops

- 35 SS316L / EN 1.4435 / UNS S31603
- 10 SuperDuplex / EN 1.4410 / UNS S32750
- M3 Alloy C22 / EN 2.4602 / UNS N06022 - only sealless
- HP Sandvik HP 160 (no EN / UNS no.) - only construction type PFT

#### Process Connection

See Mechanical Construction pages for available connections and codes

#### Electrical Connection to Transmitter

- JM Terminal Box coated Aluminium - M20x1.5 cable entry, see Accessories for others - not with Haz. Area A0
- J5 Alu Box ready for integrated RHE45 - temperature restrictions apply - only Haz. Area NN
- J9 Alu Box ready for integrated RHE49 - temperature restrictions apply
- PM Extra compact Terminal Box coated Aluminium - M16 x 1.5 cable entry - not with Haz. Area A0, No Option T1
- SM Terminal Box and entire Enclosure/Housing in SS316 - M20x1.5 cable entry, see Accessories for others
- S9 SS316 Box ready for integrated RHE49 and entire Enclosure/Housing in SS316 - temperature restrictions apply
- TM Integral PTFE Cable to RHE, 2m - not with H4, A0. C0 only with N1, NA

#### Options Codes

See options listing for specific codes (next page)

#### Hazardous Area Approvals (see page 18)

- NN Without Ex Approval
- A2 ATEX/IECEX Approvals Zone 2
- A1 ATEX/IECEX Approvals Zone 1 - requires suitably rated RHE
- A0 ATEX/IECEX Approvals Zone 0 - requires Elec. Conn. SM, suitable RHE
- C2 CSA Approval US-Canada Class I, Zone 2, Gas IIC
- C0 CSA Approval US-Canada Class I, Div. 1 / Zone 0, Gas IIC - requires suitably rated RHE

#### Pressure Design Compliance

- NN Rheonik standard design based on EN codes (no PED - not for sales into EU)
- PE Conformity according to the Pressure Equipment Directive (PED)

#### Performance Certification

- NN No Performance Certification
- AB ABS approval for marine applications - includes approval for RHE Transmitter
- DV DNV approval for marine applications - requires RHE42/45

#### Mass Flow, Density Calibration Selection

See Calibrations Options on page 4

#### Manufacturing Instruction Codes

See instructions listing for specific codes (next page)





## Options Codes

Order Code	
NN	No options selected
T1	Terminal box with cable entry upwards/gas installation
T0	Set-off terminal box for N1, NA temperature range (included in E2, E3)
FO	FVMQ seals for manifolds instead of standard seals - <i>recommended for frequent use &lt; 0 °C</i>
FK	FFKM* seals for manifolds instead of standard seals - <i>high chemical resistance</i>
EP	EPDM** seals for manifolds instead of standard seals - <i>recommended for refrigerants</i>

\*FFKM seals minimum temperature is -20°C / -4°F

\*\*EPDM seals only for N1, NA temperature range (-50 - +120°C), only for p1, p2 pressure range, only \_M0 construction type  
List multiple options in the sensor part number in the same order as the above list

## Manufacturing Instructions

Order Code	
N	No additional manufacturing instructions
F	Drying of sensor internals after calibration with compressed air
7	Upgrade to dual rating IP66/67 - <i>only available with electrical connection SM</i>
O	Special Cleaning, water and oil/grease free
S	Sea-worthy packing

List multiple options in the sensor part number in the same order as the above list

## Options

Order Code ORHM-...	
E1	Terminal box cable entry adapted to ½" NPT
E2	Terminal box cable entry adapted to M25 x 1.5 ( <i>only with electrical connection SM</i> )
E3	Terminal box cable entry adapted to ¾" NPT ( <i>only with electrical connection SM</i> )
E5	Terminal box prepared for M20 x 1.5 cable gland in SS 316L ( <i>only with electrical connection SM</i> )
E6	Terminal box prepared for ½" NPT cable entry in SS 316L ( <i>only with electrical connection SM</i> )
TP	Separate stainless steel TAG plate ( <i>TAG Information only</i> )
TC	Stainless steel type label ( <i>includes TAG and all other sensor information</i> )

Standard cable entry on JM, SM terminal box is M20 x 1.5. Cable entry on PM terminal box is always M16 x 1.5

## Accessories

Order Code ARHM015/02/03/04-	
M	Wall mounting bracket - <i>highly recommended for sensitive, low flow installations</i>
MF	Floor mounting bracket

## Hazardous Area Certifications

Order Code	Zone / Division	Approval	Labeling
A2	Zone 2	ATEX IECEX	⊕ Ex II 3G Ex ec IIC T6...T1 Gc Ex ec IIC T6...T1 Gc
A1	Zone 1	ATEX IECEX	⊕ Ex II 2G Ex ib IIC T6...T1 Gb Ex ib IIC T6...T1 Gb
A0	Zone 0	ATEX IECEX	⊕ Ex II 1G Ex ia IIC T6...T1 Ga Ex ia IIC T6...T1 Ga
C2	Zone 2	USA/Canada	Class I, Zone 2, AEx nA IIC T6...T1 Gc
C0	Div 1, Zone 0	USA/Canada	Class I, Div 1, Groups A, B, C and D T6...T1; Class I, Zone 0, AEx ia IIC T6...T1 Ga



## About Rheonik

Rheonik has but one single purpose: to design and manufacture the very best Coriolis meters available.

Our research and engineering resources are dedicated to finding new and better ways to provide cost effective accurate mass flow solutions that provide value to our customers. Our manufacturing group care for each and every meter we produce from raw materials all the way to shipping, and our service and support group are available to help you specify, integrate, start-up and maintain every Rheonik meter you have in service. Whether you own just one meter or have hundreds, you will never be just another customer to us. You are our valued business partner.

Need a specific configuration for your plant? Don't compromise with a "standard" product from elsewhere that will add extra cost to your installation. If we can't configure it from our extensive and versatile product range, our exclusive **AnyPipeFit Commitment** can have your flow sensor customized with any size/type of process connection and face to face dimension you need.

No matter what control system you use as the backbone in your enterprise, with our **AnyInterface Commitment**, you can be sure that connection and communication will not be a problem. Alongside a wide variety of discrete analog and digital signal connections, we can also provide just about any network/bus interface available (for example: HART, ProfibusDP, ProfiNet, EtherCAT, PowerLink, EtherNet/IP, CAN, ....) with our RHE 40 Series family of transmitters. Rheonik RHE 40 Series transmitters can connect to your system – no headache and no conversion needed.

Rheonik Messtechnik GmbH  
Rudolf-Diesel-Straße 5  
D-85235 Odelzhausen  
Germany

Tel + 49 (0)8134 9341-0  
Info@rheonik.com

