

## RHE 27/28

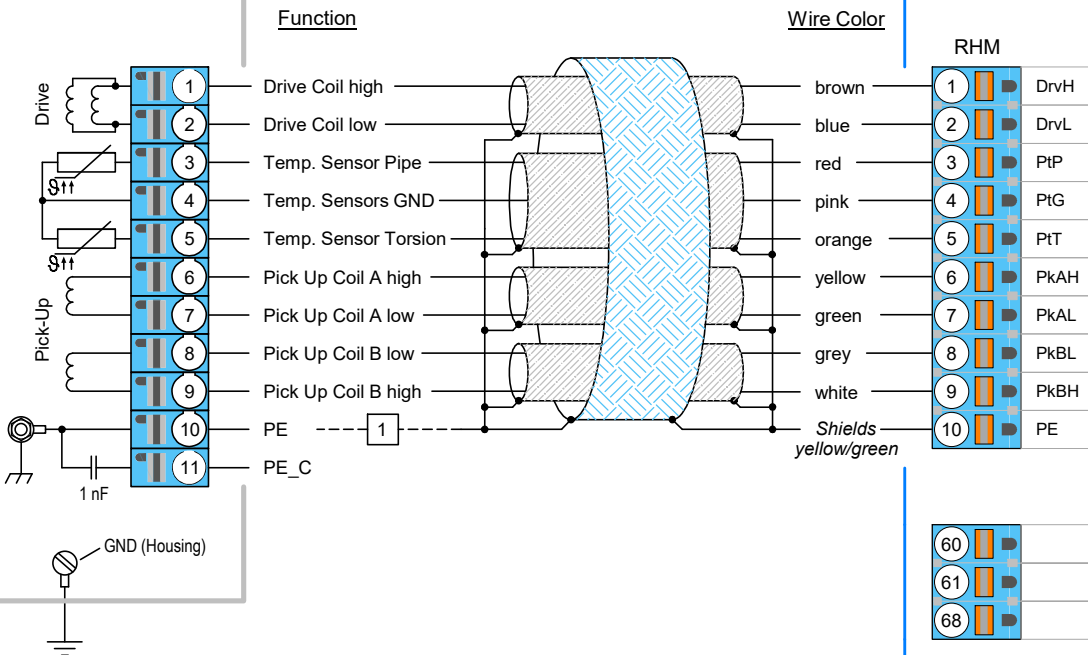
Mass Flow Meter  
Transmitter

### RHM

Mass Flow Meter Sensor

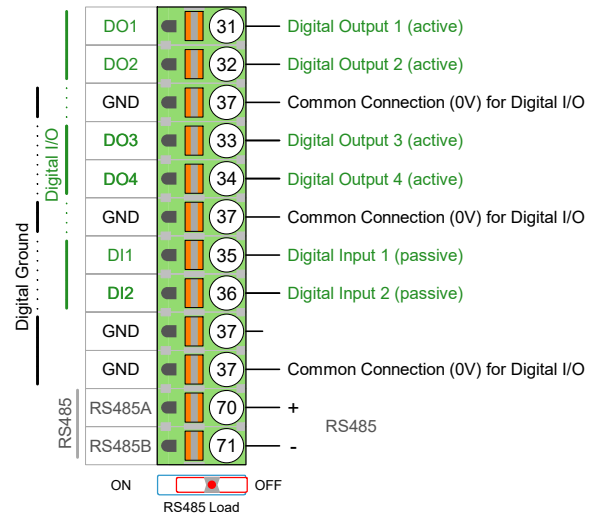
### ARHE-C4

Sensor - Transmitter  
Interconnecting Cable

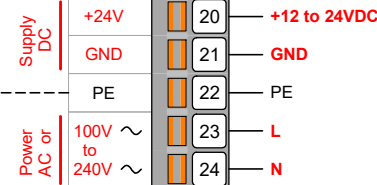
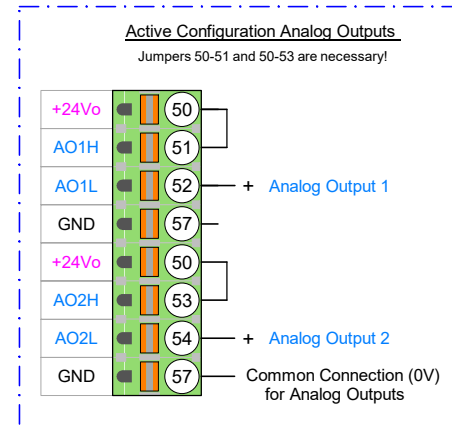
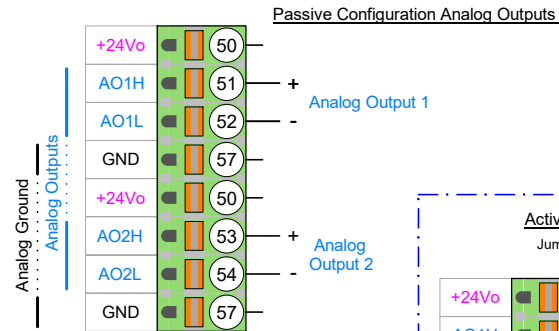


1 Best protection against electromagnetic interference is achieved by connection of the cable screens to PE.  
For special cases with longer cables and small differences in earth potential between RHM and RHE installation the screens can be connected to PE\_C. In case of substantial potential differences a potential equalization cable is mandatory.

When connecting the sensor and transmitter the respective local code for electrical installations must be considered.  
Beware that there might be additional considerations for installation in hazardous areas.  
 Do not open the RHE housing under power.



Functions programmable



|                   |             |
|-------------------|-------------|
| created / revised |             |
| Date              | 16.02.2021  |
| Drawn             | H.G.Rudolph |
| Appr.             | M. Weber    |



## Wiring diagram RHE 27 /28

RHE27 /28-\*\*\*\*\_\*\*S2-\*\*\*\*\_\*\*\*

|              |                      |
|--------------|----------------------|
| Project      |                      |
| Customer     |                      |
| Draw. - Rev. | E27_28W-E_S2_Rev_1_1 |
| Sheet        | 1 / 1                |