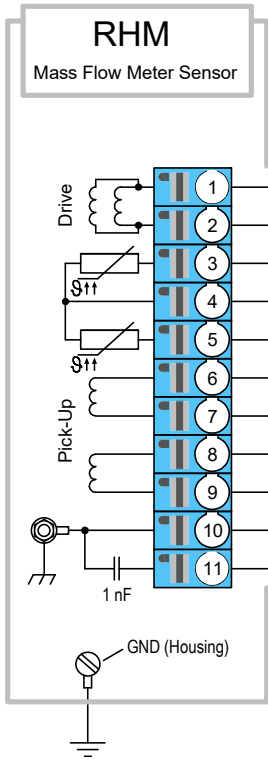


RHE 27/28

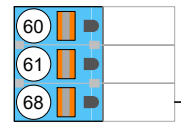
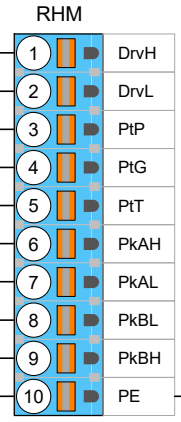
Mass Flow Meter Transmitter



ARHE-C4

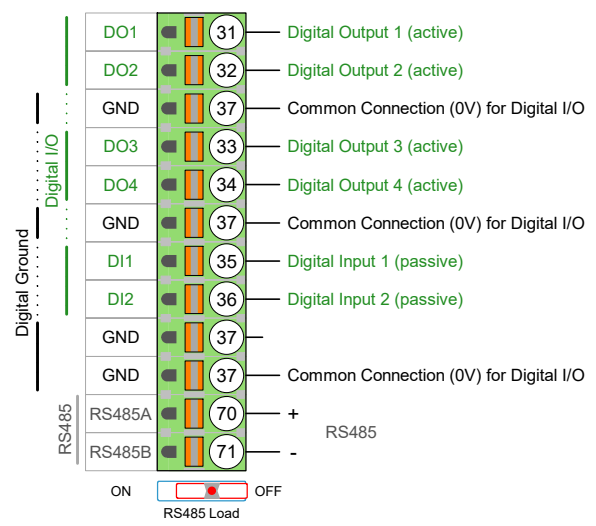
Sensor - Transmitter Interconnecting Cable

Function Wire Color

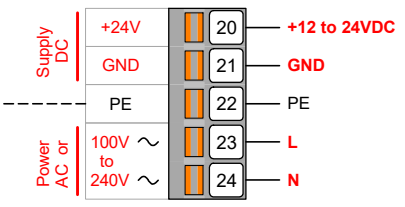
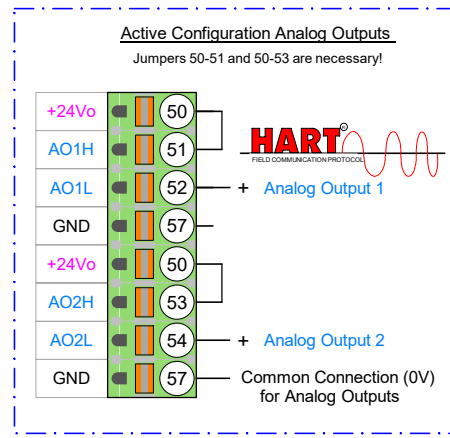
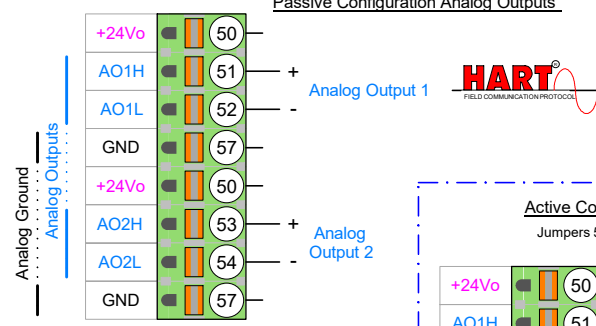


1 Best protection against electromagnetic interference is achieved by connection of the cable screens to PE.
For special cases with longer cables and small differences in earth potential between RHM and RHE installation the screens can be connected to PE_C. In case of substantial potential differences a potential equalization cable is mandatory.

When connecting the sensor and transmitter the respective local code for electrical installations must be considered.
Beware that there might be additional considerations for installation in hazardous areas.
 Do not open the RHE housing under power.



Functions programmable



created / revised	
Date	16.02.2021
Drawn	H.G.Rudolph
Appr.	M. Weber



Wiring diagram RHE 27 /28

RHE27 /28-****-**SH-****_***

Project	
Customer	
Draw. - Rev.	E27_28W-E_SH_Rev_1_1
Sheet	1 / 1