



RHE15/RHE14 EZB

RHE14 Transmitter Support and Usability Expansion Modules



RHE15 – PROFIBUS DP Module

- Provides connectivity to a PROFIBUS-DP system for an RHE14 mass flow transmitter
- Optionally includes inputs for 1 pulse and 3 analog signals from any other instrument(s) without PROFIBUS functionality. Signals are retransmitted digitally on PROFIBUS.
- Compact DIN rail mount housing with the same form factor as an RHE14 mass flow transmitter
- PROFIBUS communication rate up to 1.5 MBit/s
- Includes bus terminator configured by on-board DIP switch
- Power supply 8 – 26 VDC
- Power consumption 2.5 W



RHE14 EZB – Zener Safety Barrier Module

- Provides connectivity between an RHE14 mass flow transmitter and an RHM mass flow sensor installed inline in a hazardous area
- DIN rail mount housing in the same style as an RHE14 mass flow transmitter
- ATEX and IEC hazardous area certified
- Passive module – no power supply required

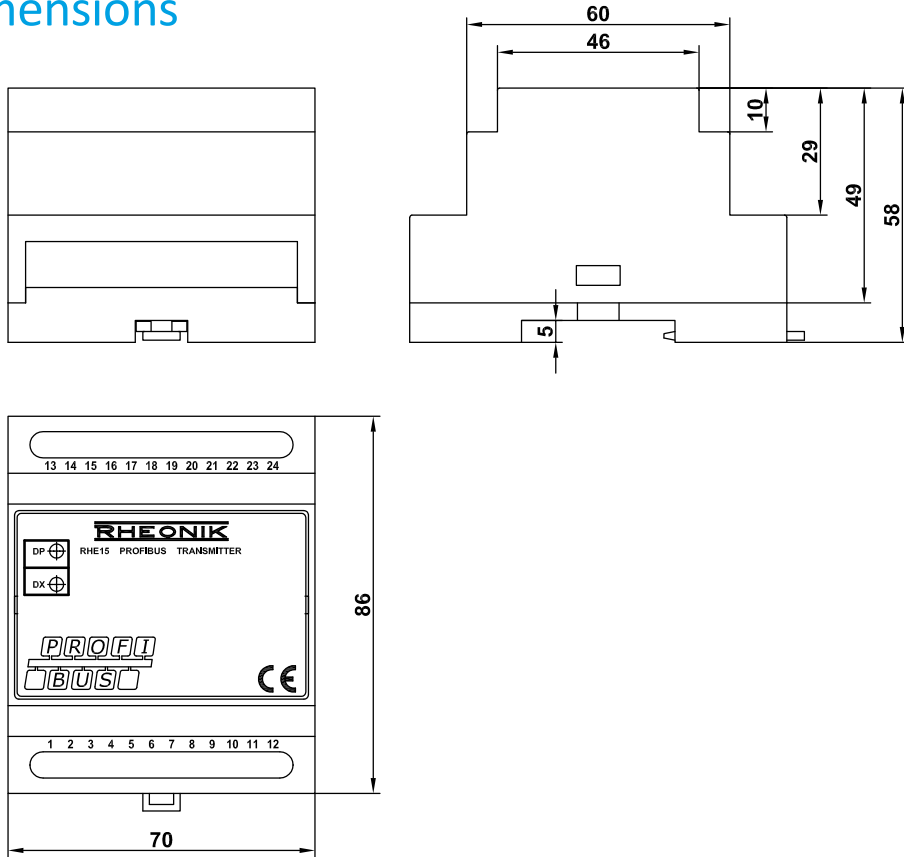
RHE15 General Specifications

Housing:	DIN rail mounting enclosure (polycarbonate (PC) and polyphenylene oxide (PPO))
Enclosure Rating:	IP 20
Ambient Temperature:	-40°C to +65°C (-40°F to +149°F)
Dimensions:	70 x 86 x 58 mm (2.76 x 3.39 x 2.28 in)
Operation:	Via PROFIBUS DP master
Cable Connection:	Screw terminals for discrete wires, 9 pin sub-D type connection for communications cable
Optional Pulse Input:	Active TTL – connects to open collector or dry contact relay
Optional Analog inputs:	Accepts up to 3 active analog 0/4- 20mA connections
Power Supply:	8 – 26 VDC +/- 10%
Digital Data Communications:	Output: PROFIBUS Input: HART over RS232 (from RHE14)
Weight:	0.2 kg (0.44 lb)

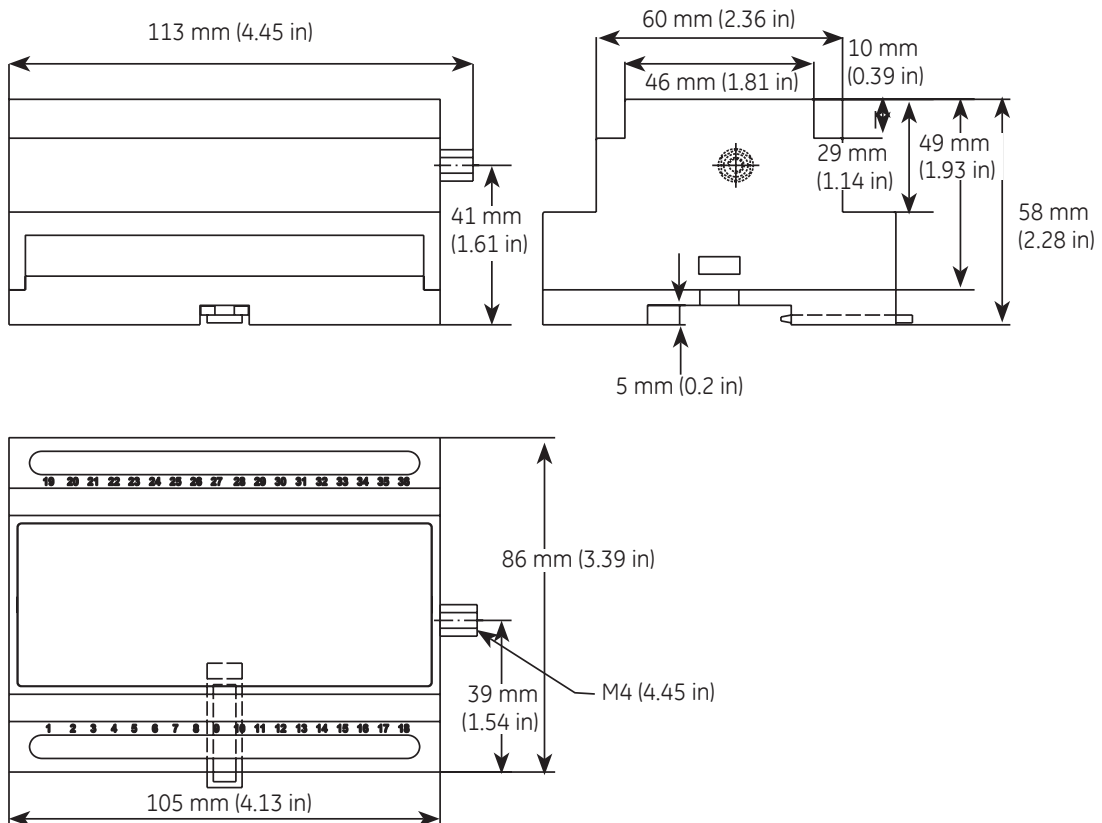
RHE14 EZB Specifications

Housing:	DIN rail mounting enclosure (polycarbonate (PC) and polyphenylene oxide (PPO))
Enclosure Rating:	IP 20
Ambient Temperature:	-20°C to +55°C (-4°F to +131°F)
Dimensions:	105 x 86 x 58 mm (4.13 x 3.39 x 2.28 in)
Cable Connection:	Screw terminals
ATEX Approval:	Ex II (1) G [Ex ia] IIB / IIC (RHE 14 and RHE14 EZB in safe area)
IEC Approval:	[Zone 0] [Ex ia] IIB / IIC (RHE 14 and RHE14 EZB in safe area)
Power Supply:	None required
Weight:	0.2 kg (0.44 lb)

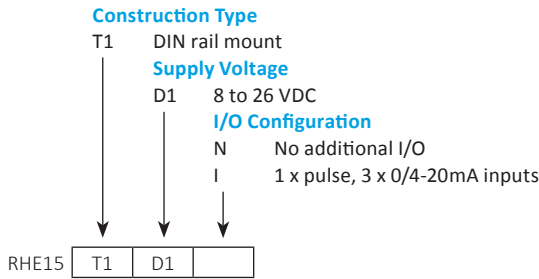
RHE15 Dimensions



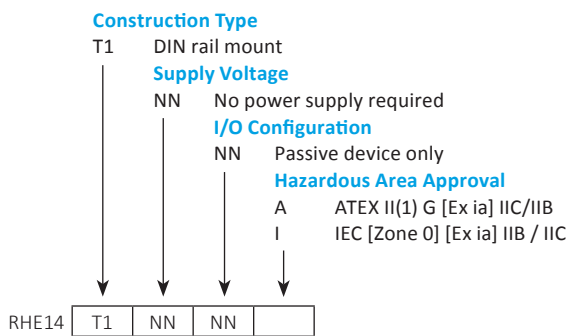
RHE14 EZB Dimensions



RHE15 – Part Number Code



RHE14 EZB – Part Number Code



About Rheonik

Rheonik has the single purpose: to design and manufacture the very best Coriolis meters available. Our research and engineering resources are dedicated to finding new and better ways to provide cost effective accurate mass flow solutions. Our manufacturing group care for each and every meter we produce from raw materials all the way to shipping and our service and support group are available to help you specify, integrate, start-up and maintain each and every Rheonik meter you have in service. Whether you

own just one meter or have hundreds, you will never be just another customer to us, you are a valued partner. Need a special configuration for your plant – don't compromise with a "standard" product from elsewhere, if we can't configure it from our regular product range, we can build you what you need as a custom meter.

Rheonik only make Coriolis meters – we are **The Coriolis Experts** – contact us for all of your Coriolis meter requirements.